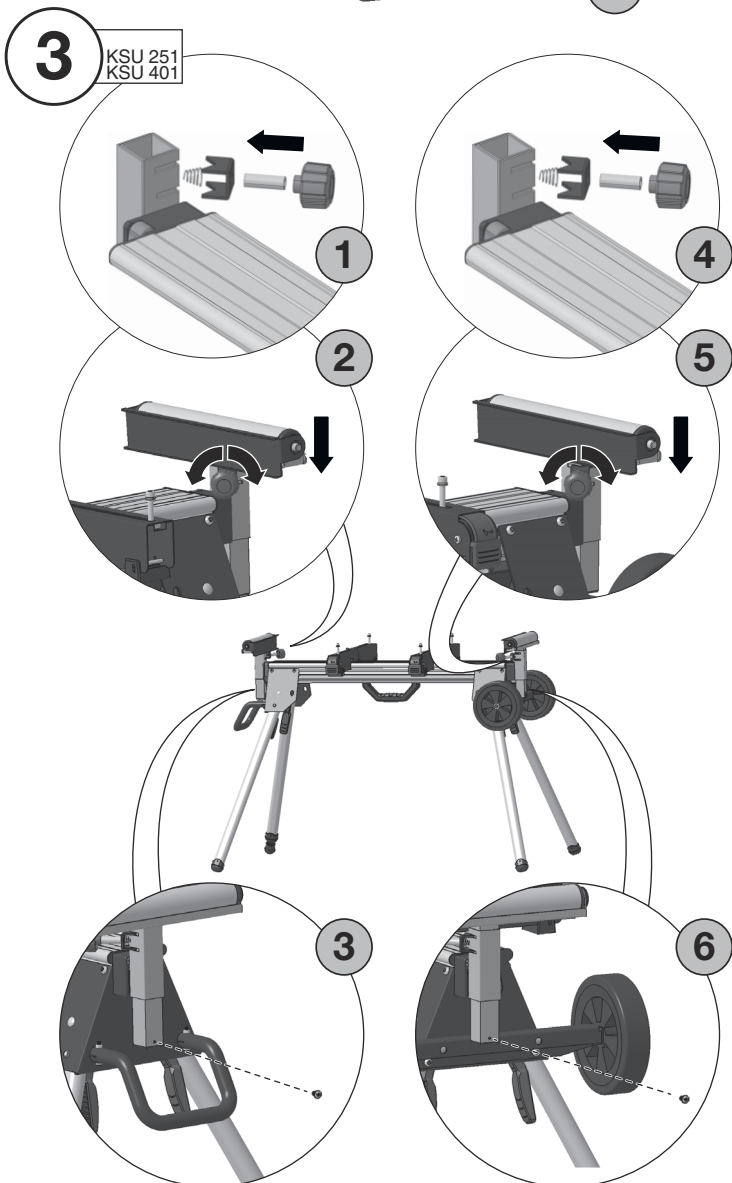
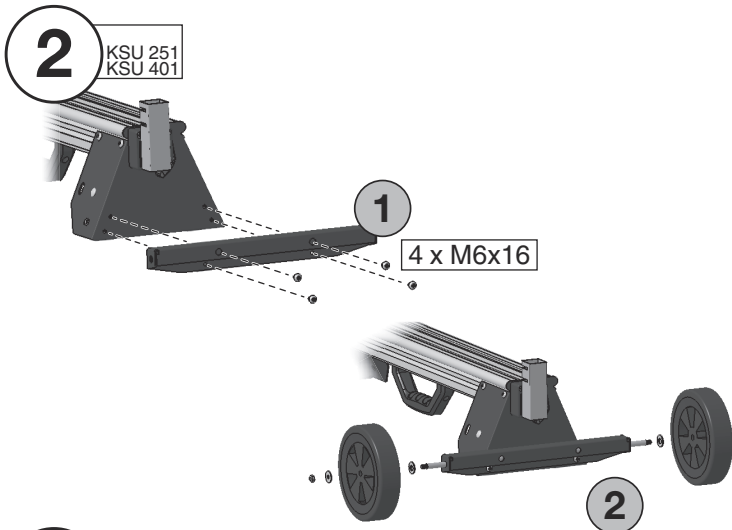
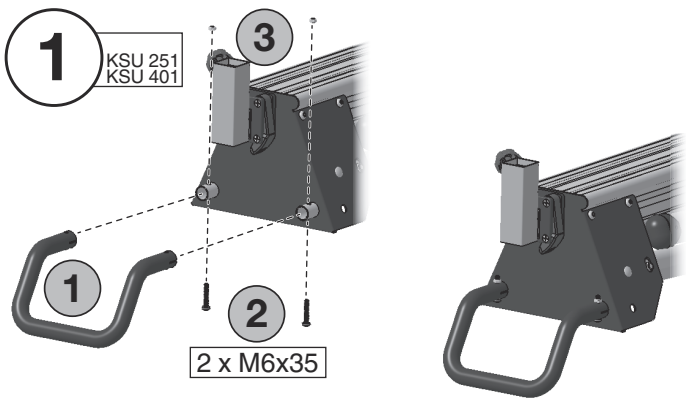


KSU 100
KSU 251
KSU 401

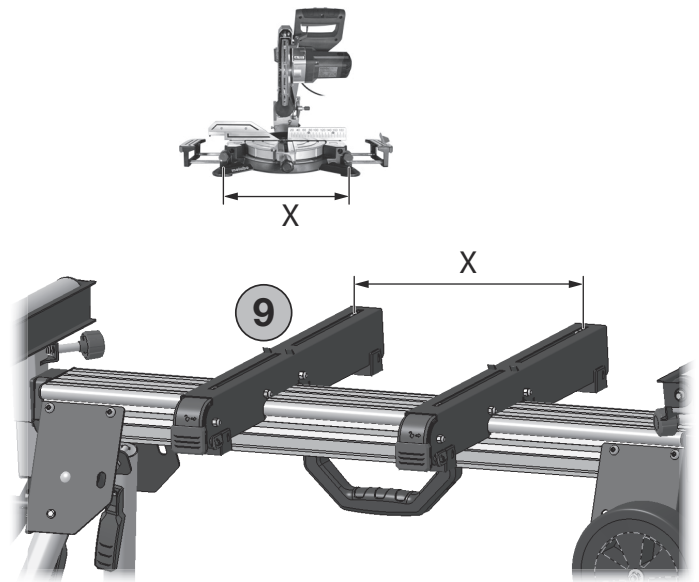
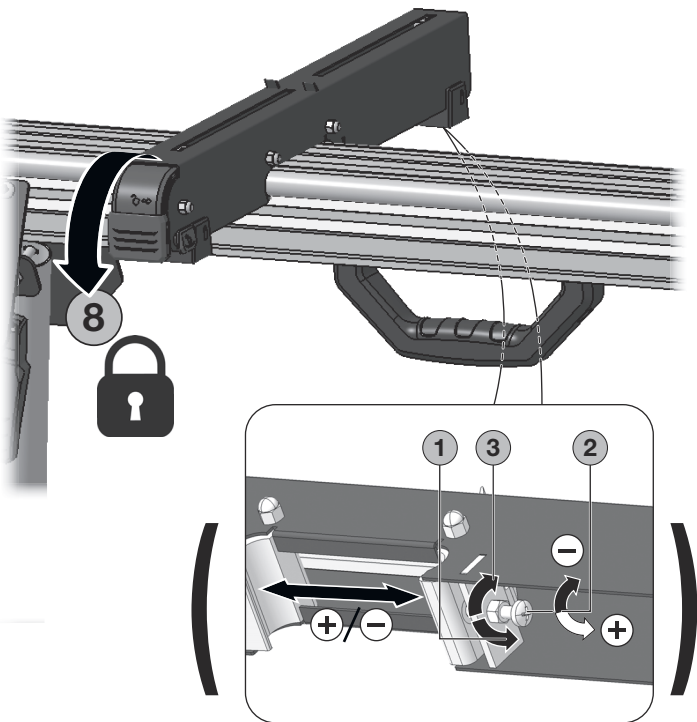
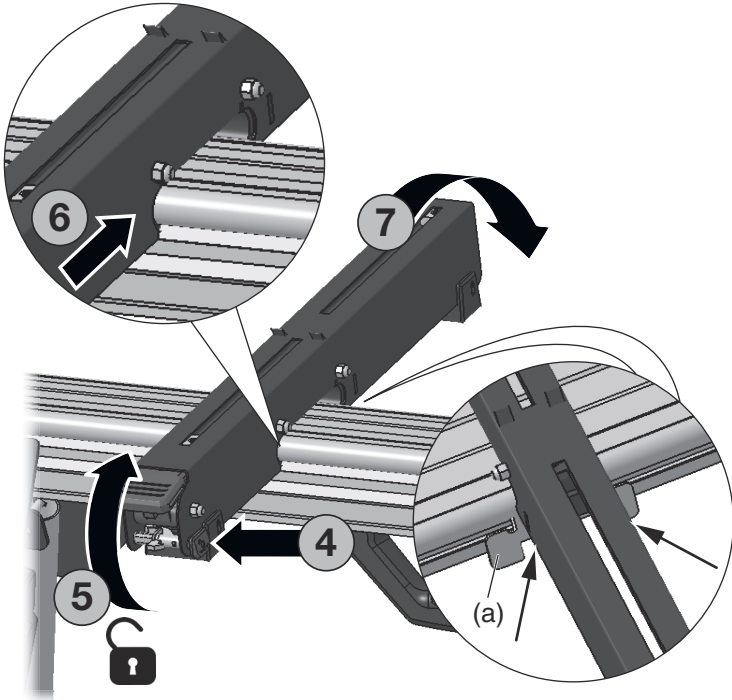
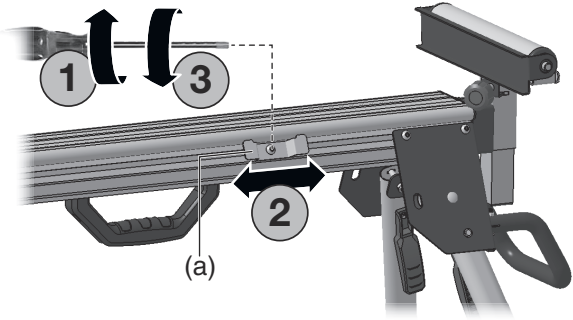


de Maschinenständer 5
en Workstand 7
fr Montants de la machine 9
nl Machinestandaard 11
it Supporto della macchina 13
es Base de la máquina 15
pt Suporte de máquina 17
sv Maskinstativ 19

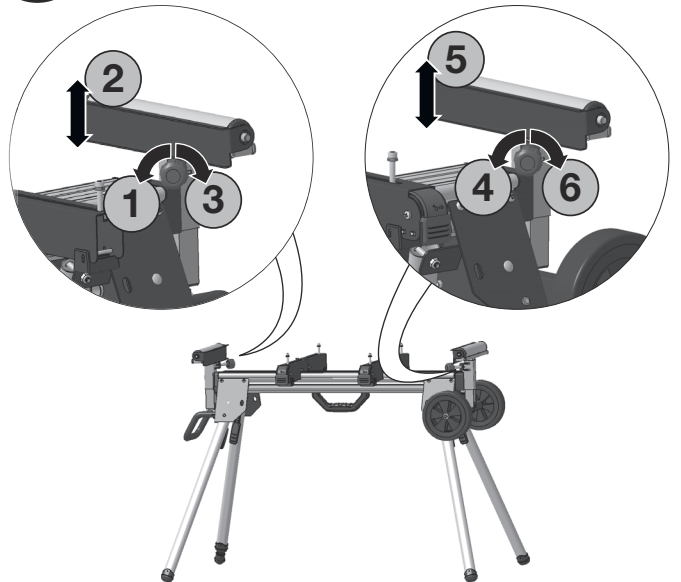
fi Jalusta 21
no Maskinunderstell 23
da Standeren 25
pl Stojak pod urządzenie 27
el Ορθοστάτης μηχανήματος 29
hu Gépellvány 31
ru Рабочий стол 33



5 KSU 100
KSU 251
KSU 401



6 KSU 251
KSU 401



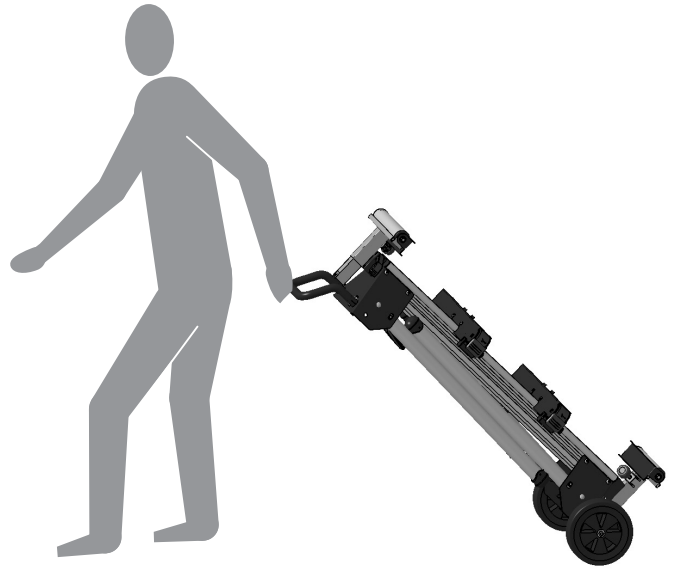
7 KSU 251
KSU 401



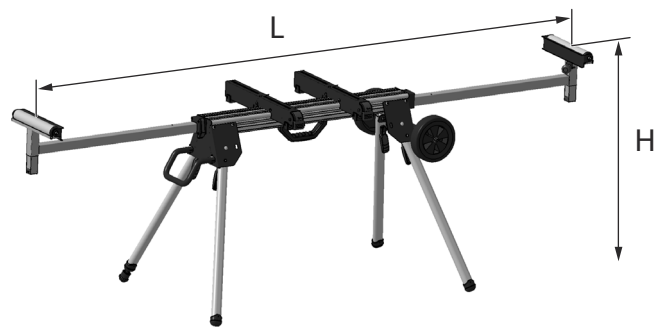
8 KSU 251
KSU 401






9 KSU 251
KSU 401



10 KSU 100
KSU 251
KSU 401



KSU 100:	KSU 251:	KSU 401:
L = 127 cm	L = 127-250 cm	L = 168-400 cm
H = 92-99 cm	H = 92-99 cm	H = 92-99 cm
 = 16 kg	 = 23 kg	 = 25 kg

Metabowerke GmbH
Metabo-Allee 1
72622 Nuertingen
Germany
www.metabo.com

metabo[®]
PROFESSIONAL POWER TOOL SOLUTIONS